

EKL1BE Series 10mm Polyamide Terminal Strip

Wire Entry	4mm ² (20-10 AWG)
Nominal Voltage	450V (UL 300V)
UL Amp Rating	30A
PA6.6 Max Ambient Temp	T 85
PA 6.6 FR Max Ambient Temp	T 110
PA6.6 Testing Temp EN60998	115°C
PA 6.6 FR Testing Temp EN60998	140°C
Inserts	Galvanized Brass
Screws	Galvanized Steel M3
Recommended Torque	7lb-in
Major Approvals	UL, CSA, VDE, OVE, SEMCO

ORDERING INSTRUCTIONS:

Insert Number of Poles from 2-12

With Wire Protectors:

EKL1BE/___-ETB

Raised Base with Wire Protectors:

EKL1BEF(2,3,or 3.5)/___-ETB

Flame Retardant PA 6.6 FR UL94V0 Brown:

EKL1BE/___FR-ETB

Without Wire Protectors:

EKL1BE/___W-ETB

Raised Base without Wire Protectors:

EKL1BEF(2,3,or 3.5)/___W-ETB

Flame Retardant PA 6.6 FR UL94V0 Brown w/o WP:

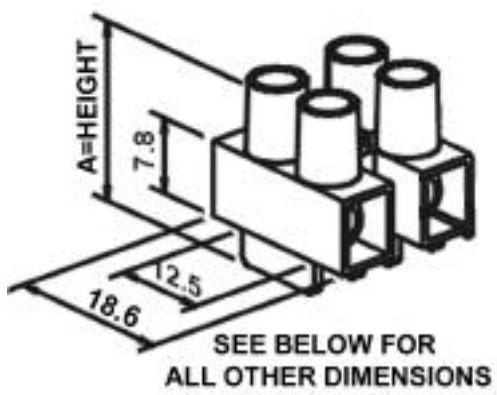
EKL1BE/___WFR-ETB

A = HEIGHT FOR RAISED BASE

F2 = 17

F3 = 18

F3.5=18.5



Contact EuroComp for Options:

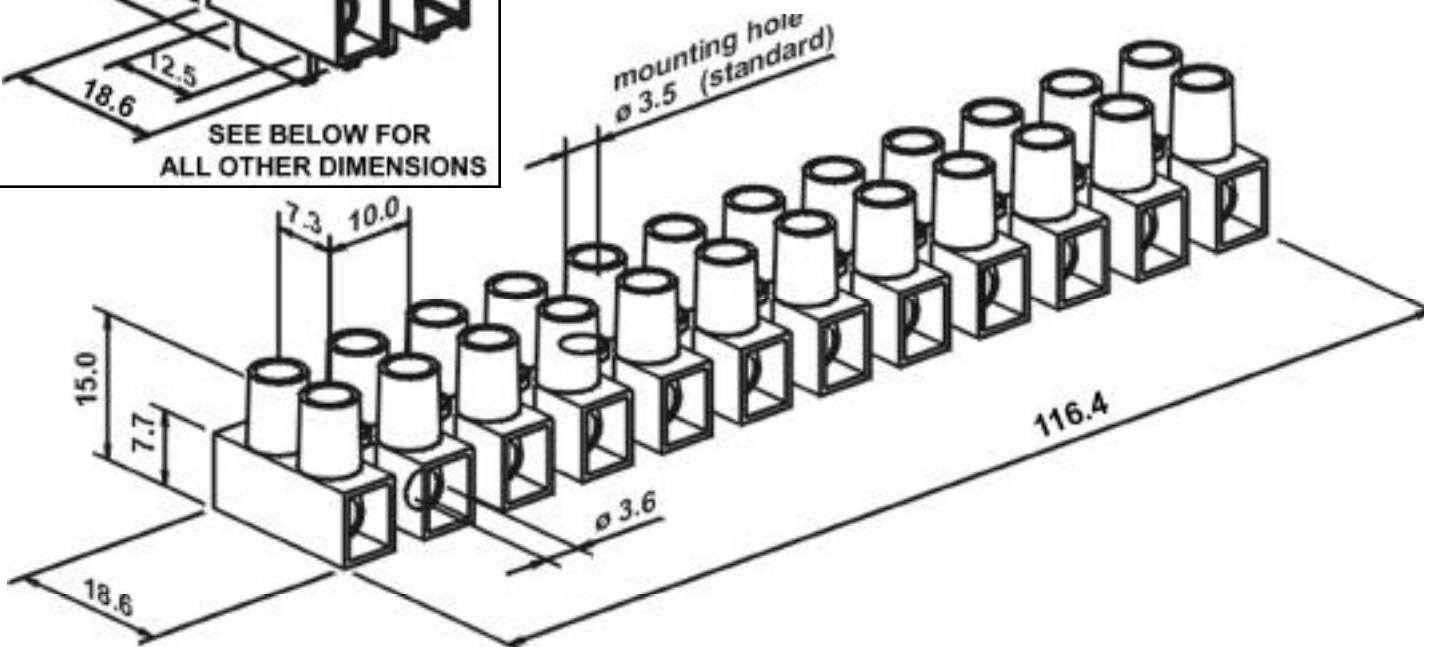
Printing

Marking Plates

Inserts with Center Barrier



Optional
Center
Barrier



EuroComp, Inc.

(800) 846-6777 - Fax (949) 650-2992

www.eurocomp.net - email: sales@eurocomp.net