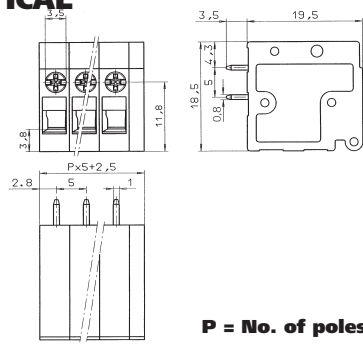
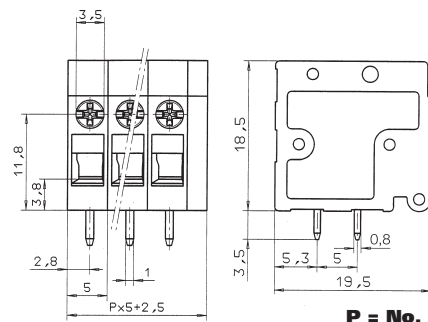


AK 2200 VERTICAL

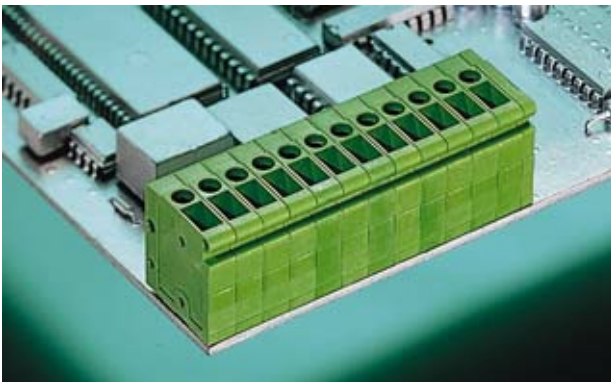


P = No. of poles

AK 2200 HORIZONTAL



P = No. of poles



AK 2200/.. - 5,0 - V - green




**1-n poles, Spacing 5,0 mm
insert required no. of poles ..**



AK 2200/.. - 5,0 - H - green

**1-n poles, Spacing 5,0 mm
insert required no. of poles ..**

Ratings:

			
	UL 1059	CSA 22.2 No. 158	EN 60998
Rated Voltage	300 V	300 V	250 V
Rated Current	20 A	20 A	24 A (T60)
Wire Size	AWG 30-12	AWG 30-12	2,5 mm²
Test Voltage			2,0 kV
Rated Torque / Screw Size			0,5 Nm/M2,5
Max. Rated Cross Section			
Single Wired (solid)			2,5 mm ²
Stranded Wire (flexible)			2,5 mm ²
Stranded wire with Ferrules			2,5 mm ²




Dimensions

Spacing	5,0 mm
PCB Hole Diameter	1,3 mm
Stripped Length	9,0 mm

Materials

Insulating Material	PA
Flammability Class	UL94 V-0
Temperature Range	-30°C/+105°C
Clamp cage	Fe/Fe
Wire Guard	Cu
Colour	
green	RAL 6018

Ratings:

			
	UL 1059	CSA 22.2 No. 158	EN 60998
Rated Voltage	300 V	300 V	250 V
Rated Current	20 A	20 A	24 A (T60)
Wire Size	AWG 30-12	AWG 30-12	2,5 mm²
Test Voltage			2,0 kV
Rated Torque / Screw Size			0,5 Nm/M2,5
Max. Rated Cross Section			
Single Wired (solid)			2,5 mm ²
Stranded Wire (flexible)			2,5 mm ²
Stranded wire with Ferrules			2,5 mm ²

Dimensions

Spacing	5,0 mm
PCB Hole Diameter	1,3 mm
Stripped Length	9,0 mm

Materials

Insulating Material	PA
Flammability Class	UL94 V-0
Temperature Range	-30°C/+105°C
Clamp cage	Fe/Fe
Wire Guard	Cu
Colour	
green	RAL 6018