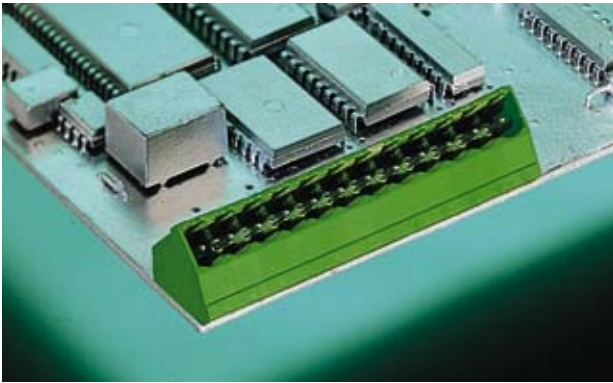
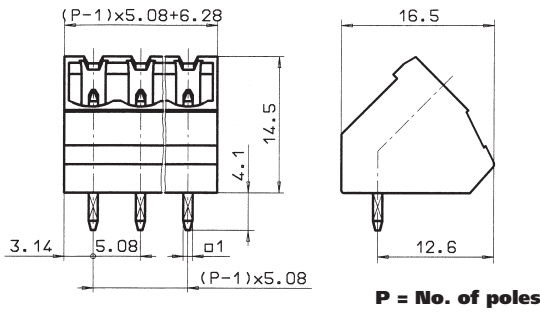


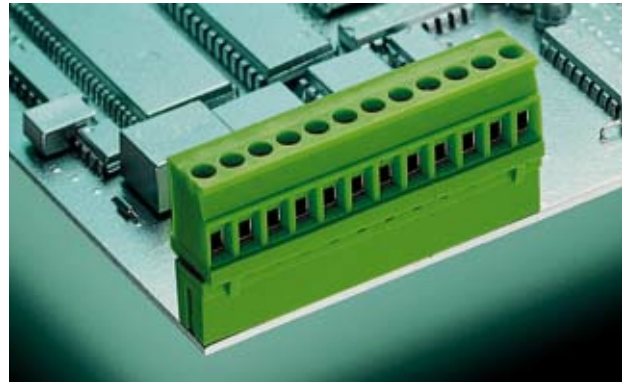
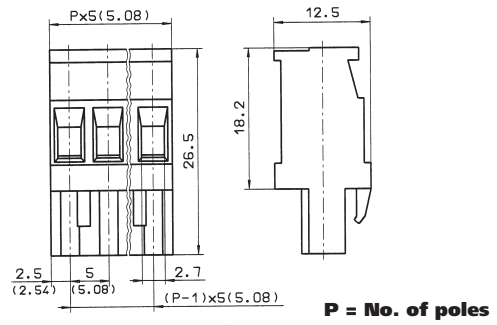
STLZ 990



STLZ 990/.. G - 5,08 - green

**2-24 poles, Spacing 5,08 mm
insert required no. of poles ..**




AK(Z) 1100






AK(Z) 1100/.. - 5,0 (5,08) - green

**2-20 (16) poles, Spacing 5,0 mm or 5,08 mm
insert required no. of poles ..**

Ratings:

| |  |  |  |
|-----------------------------------|---|---|---|
| | UL 1059 | CSA 22.2 No. 158 | DIN VDE 0627 |
| Rated Voltage | 300 V | 300 V | 250 V |
| Rated Current | 15 A | 15 A | 12 A (T60) |
| Rating Impulse Voltage/Dirt Level | | | 4 kV/3 |

Ratings:

| | (BU02)  | (BU02)  | (BU02)  |
|-----------------------------------|---|---|---|
| | UL 1059 | CSA 22.2 No. 158 | DIN VDE 0627 |
| Rated Voltage | 300 V | 300 V | 250 V |
| Rated Current | 15 A | 12 A | 12 A (T60) |
| Wire Size | AWG 22-10 | AWG 22-10 | 2,5 mm ² |
| Rating Impulse Voltage/Dirt Level | | | 4 kV/3 |
| Rated Torque / Screw Size | | | 0,5 Nm/M3 |
| Max. Rated Cross Section | | | |
| Single Wire (solid) | | | 2,5 mm ² |
| Stranded Wire (flexible) | | | 2,5 mm ² |
| Stranded wire with Ferrules | | | 2,5 mm ² |

Dimensions

| | |
|-------------------|--------|
| Spacing | 5,0 mm |
| PCB Hole Diameter | 1,4 mm |

Materials

| | |
|---------------------|--------------|
| Insulating Material | PA |
| Flammability Class | UL94 V-0 |
| Temperature Range | -30°C/+105°C |
| Contact Pin | Cu |

Colour

| | |
|-------|----------|
| green | RAL 6018 |
|-------|----------|

Dimensions

| | |
|-----------------|------------------|
| Spacing | 5,0 mm (5,08 mm) |
| Stripped Length | 7,0 mm |

Materials

| | |
|---------------------|--------------|
| Insulating Material | PA |
| Flammability Class | UL94 V-0 |
| Temperature Range | -30°C/+105°C |
| Terminal Block | CuZn |
| Contact | CuSn |

Colour

| | |
|-------|----------|
| green | RAL 6018 |
|-------|----------|