

EKL3E Series 15mm Polyamide Terminal Strip

| | |
|--------------------------------|------------------------------|
| Wire Entry | 16mm ² (10-6 AWG) |
| Nominal Voltage | 450V (UL 300V, F = UL 600V) |
| UL Amp Rating | 55A |
| PA 6.6 Max Ambient Temp | T 110 |
| PA 6.6 FR Max Ambient Temp | T 140 |
| PA 6.6 Testing Temp EN60998 | 140°C |
| PA 6.6 FR Testing Temp EN60998 | 170°C |
| Inserts | Galvanized Brass |
| Screws | Galvanized Steel M4 |
| Recommended Torque | 10lb-in (M5 = 15lb-in) |
| Major Approvals | UL, CSA, VDE, OVE, SEMCO |

ORDERING INSTRUCTIONS:

Insert Number of Poles from 2-12

With Wire Protectors:

With Wire Protectors M5 Screw:

Raised Base with Wire Protectors M4 Screw UL 600V:

Raised Base with Wire Protectors M5 Screw UL 600V:

Flame Retardant PA 6.6 FR UL94V0 Brown:

Without Wire Protectors:

Raised Base without Wire Protectors M4 Screw UL 600V:

Flame Retardant PA 6.6 FR UL94V0 Brown w/o WP:

EKL3E/___-ETB

EKL3EM5/___-ETB

EKL3EF/___-ETB

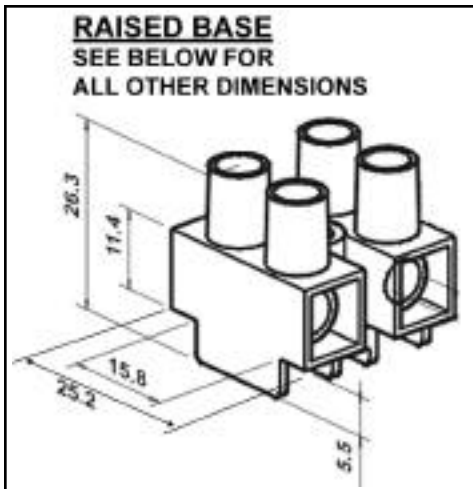
EKL3EFM5/___-ETB

EKL3E/___FR-ETB

EKL3E/___W-ETB

EKL3EF/___W-ETB

EKL3E/___WFR-ETB



Contact EuroComp for Options:

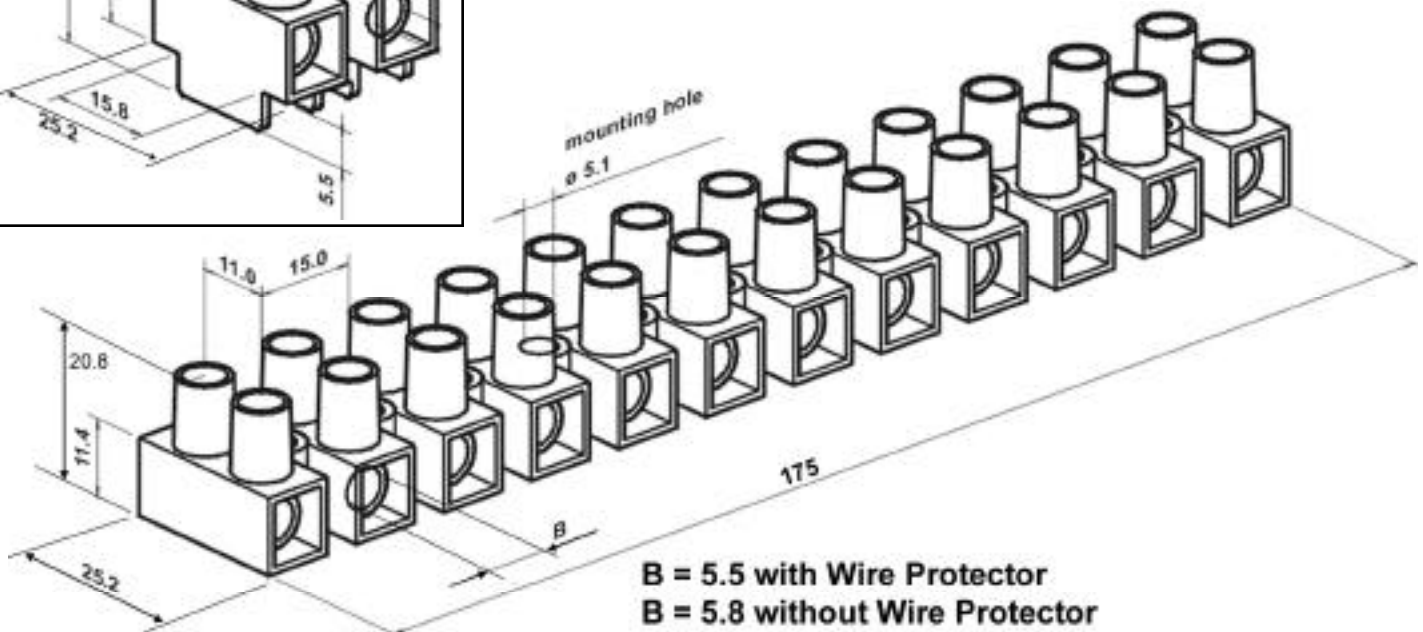
Printing

Marking Plates

Inserts with Center Barrier



Optional
Center
Barrier



EuroComp, Inc

(800) 846-6777 - Fax (949) 650-2992

www.eurocomp.net - email: sales@eurocomp.net