

EKL0E Series 8mm Polyamide Terminal Strip

Wire Entry	2.5mm ² (22-12 AWG)
Nominal Voltage	450V (UL 300V)
UL Amp Rating	20A
PA 6.6 Max Ambient Temp	T 85
PA 6.6 FR Max Ambient Temp	T 110
PA 6.6 Testing Temp EN60998	115°C
PA 6.6 FR Testing Temp EN60998	140°C
Inserts	Galvanized Brass
Screws	Galvanized Steel M2.6
Recommended Torque	7lb-in
Major Approvals	UL, CSA, VDE, OVE, SEMCO

ORDERING INSTRUCTIONS:

Insert Number of Poles from 2-12

With Wire Protectors:

Raised Base with Wire Protectors:

Flame Retardant PA 6.6 FR UL94V0 Brown w/WP:

EKL0E/___-ETB

EKL0EF/___-ETB

EKL0E/___FR-ETB

Without Wire Protectors:

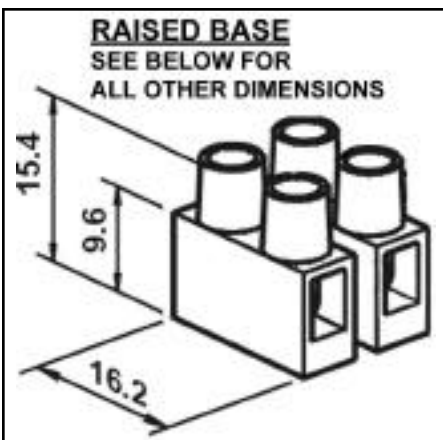
Raised Base without Wire Protectors:

Flame Retardant PA 6.6 FR UL94V0 Brown w/o WP:

EKL0E/___W-ETB

EKL0EF/___W-ETB

EKL0E/___WFR-ETB



Contact EuroComp for Options:

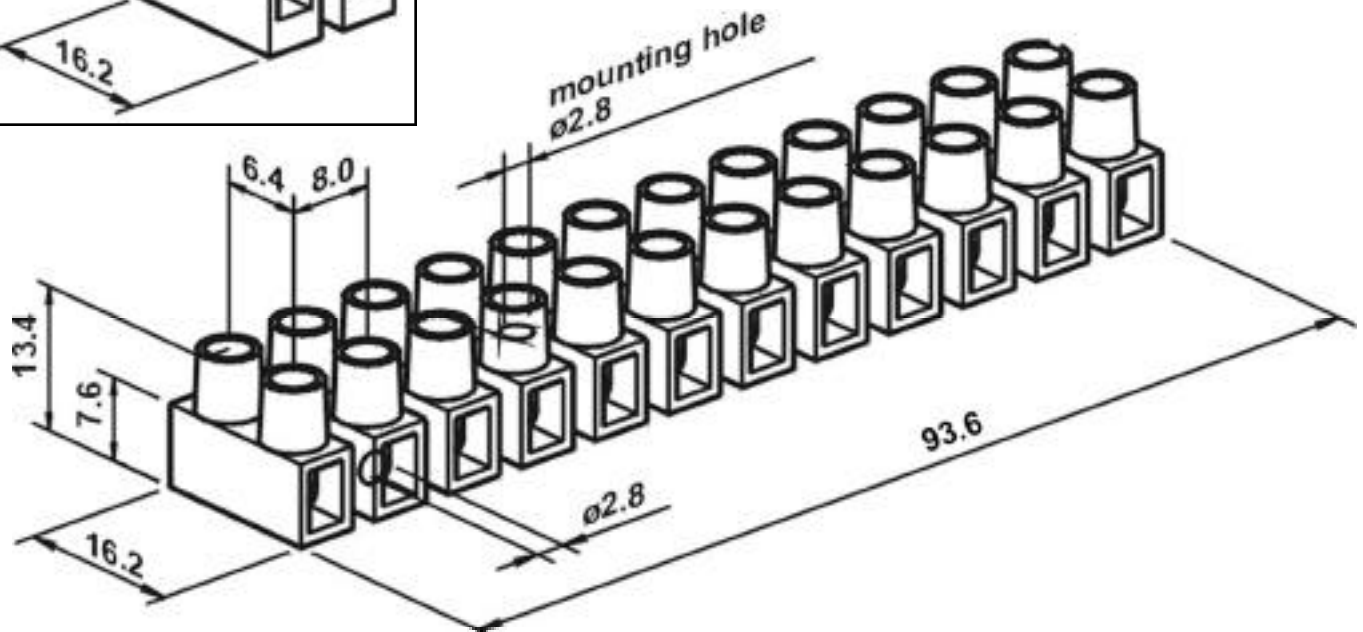
Printing

Marking Plates

Inserts with Center Barrier



Optional
Center
Barrier



EKL1BE Series 10mm Polyamide Terminal Strip

Wire Entry	4mm ² (20-10 AWG)
Nominal Voltage	450V (UL 300V)
UL Amp Rating	30A
PA6.6 Max Ambient Temp	T 85
PA 6.6 FR Max Ambient Temp	T 110
PA6.6 Testing Temp EN60998	115°C
PA 6.6 FR Testing Temp EN60998	140°C
Inserts	Galvanized Brass
Screws	Galvanized Steel M3
Recommended Torque	7lb-in
Major Approvals	UL, CSA, VDE, OVE, SEMCO

ORDERING INSTRUCTIONS:

Insert Number of Poles from 2-12

With Wire Protectors:

EKL1BE/___-ETB

Raised Base with Wire Protectors:

EKL1BEF(2,3,or 3.5)/___-ETB

Flame Retardant PA 6.6 FR UL94V0 Brown:

EKL1BE/___FR-ETB

Without Wire Protectors:

EKL1BE/___W-ETB

Raised Base without Wire Protectors:

EKL1BEF(2,3,or 3.5)/___W-ETB

Flame Retardant PA 6.6 FR UL94V0 Brown w/o WP:

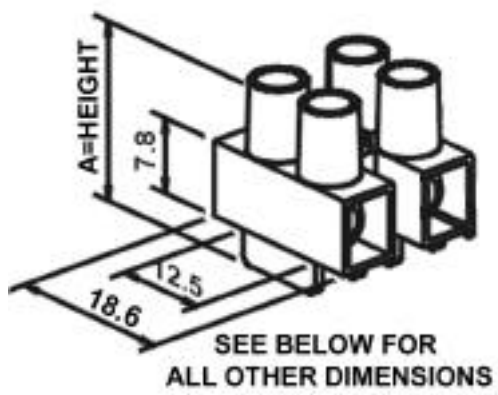
EKL1BE/___WFR-ETB

A = HEIGHT FOR RAISED BASE

F2 = 17

F3 = 18

F3.5=18.5



Contact EuroComp for Options:

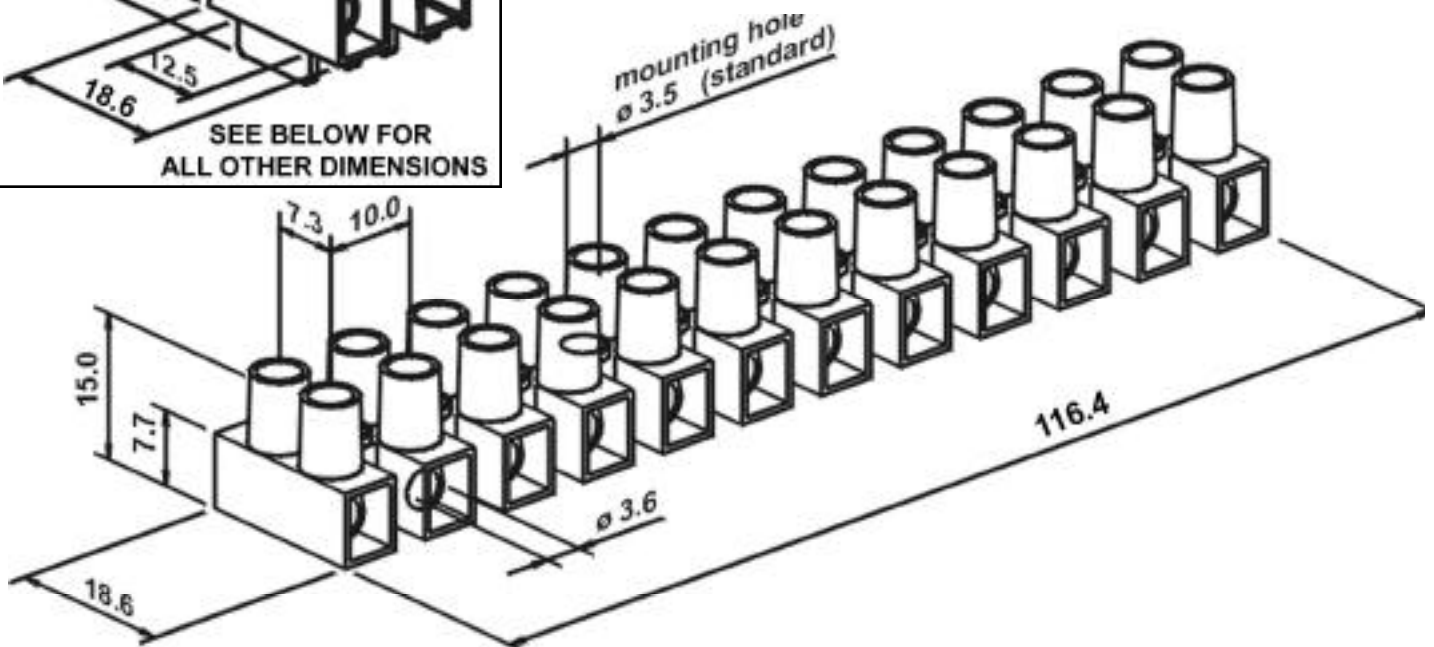
Printing

Marking Plates

Inserts with Center Barrier



Optional
Center
Barrier



EuroComp, Inc.

(800) 846-6777 - Fax (949) 650-2992

www.eurocomp.net - email: sales@eurocomp.net

EKL2E Series 11.5mm Polyamide Terminal Strip

Wire Entry	6mm ² (14-8 AWG)
Nominal Voltage	450V (UL 300V, F = UL 600V)
UL Amp Rating	50A
PA 6.6 Max Ambient Temp	T 85
PA 6.6 FR Max Ambient Temp	T 110
PA 6.6 Testing Temp EN60998	115°C
PA 6.6 FR Testing Temp EN60998	140°C
Inserts	Galvanized Brass
Screws	Galvanized Steel M3.5
Recommended Torque	7lb-in
Major Approvals	UL, CSA, VDE, OVE, SEMCO

ORDERING INSTRUCTIONS:

Insert Number of Poles from 2-12

With Wire Protectors:

Raised Base with Wire Protector UL 600V:

Flame Retardant PA 6.6 FR UL94V0 Brown:

Without Wire Protectors:

Raised Base without Wire Protector UL 600V:

Flame Retardant PA 6.6 FR UL94V0 Brown w/o WP:

EKL2E/___-ETB

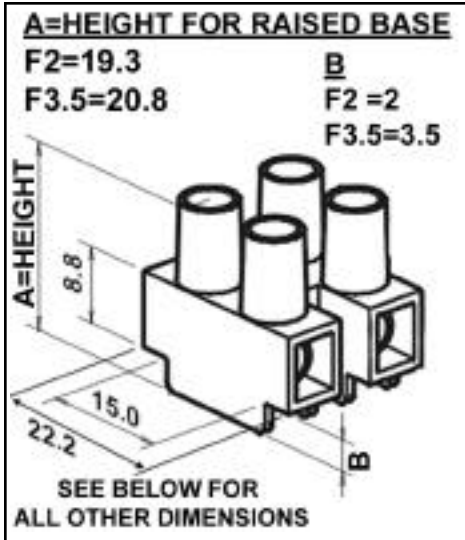
EKL2EF(2 or 3.5)/___-ETB

EKL2E/___FR-ETB

EKL2E/___W-ETB

EKL2EF(2 or 3.5)/___W-ETB

EKL2E/___WFR-ETB



Contact EuroComp for Options:

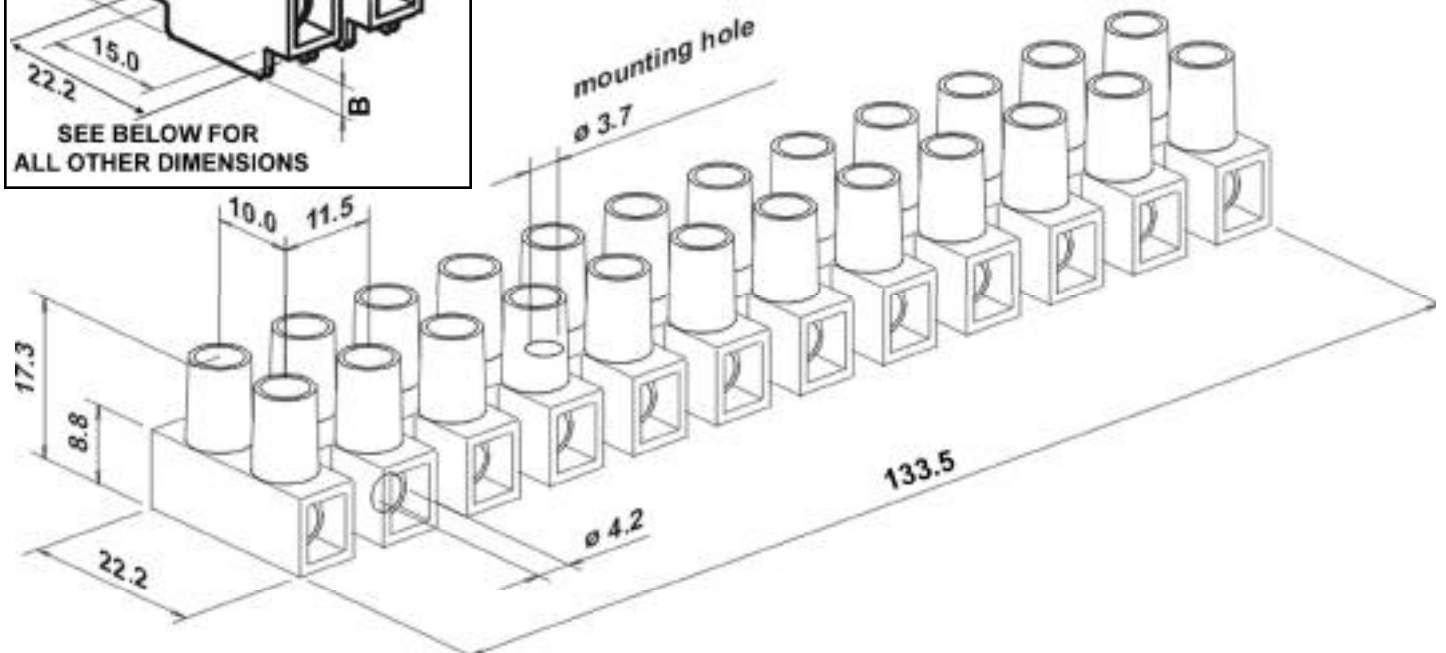
Printing

Marking Plates

Inserts with Center Barrier



Optional
Center
Barrier



EuroComp, Inc.

(800) 846-6777 - Fax (949) 650-2992

www.eurocomp.net - email: sales@eurocomp.net

EKL3E Series 15mm Polyamide Terminal Strip

Wire Entry	16mm ² (10-6 AWG)
Nominal Voltage	450V (UL 300V, F = UL 600V)
UL Amp Rating	55A
PA 6.6 Max Ambient Temp	T 110
PA 6.6 FR Max Ambient Temp	T 140
PA 6.6 Testing Temp EN60998	140°C
PA 6.6 FR Testing Temp EN60998	170°C
Inserts	Galvanized Brass
Screws	Galvanized Steel M4
Recommended Torque	10lb-in (M5 = 15lb-in)
Major Approvals	UL, CSA, VDE, OVE, SEMCO

ORDERING INSTRUCTIONS:

Insert Number of Poles from 2-12

With Wire Protectors:

With Wire Protectors M5 Screw:

Raised Base with Wire Protectors M4 Screw UL 600V:

Raised Base with Wire Protectors M5 Screw UL 600V:

Flame Retardant PA 6.6 FR UL94V0 Brown:

Without Wire Protectors:

Raised Base without Wire Protectors M4 Screw UL 600V:

Flame Retardant PA 6.6 FR UL94V0 Brown w/o WP:

EKL3E/___-ETB

EKL3EM5/___-ETB

EKL3EF/___-ETB

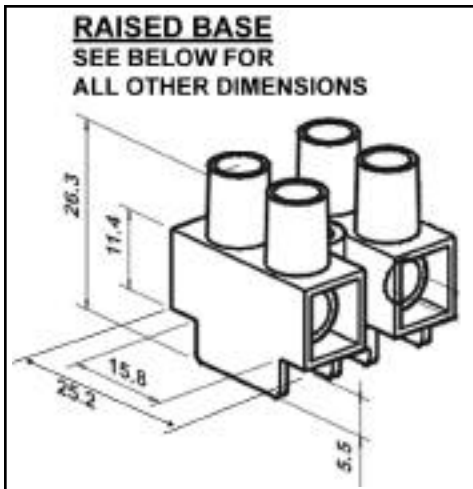
EKL3EFM5/___-ETB

EKL3E/___FR-ETB

EKL3E/___W-ETB

EKL3EF/___W-ETB

EKL3E/___WFR-ETB



Contact EuroComp for Options:

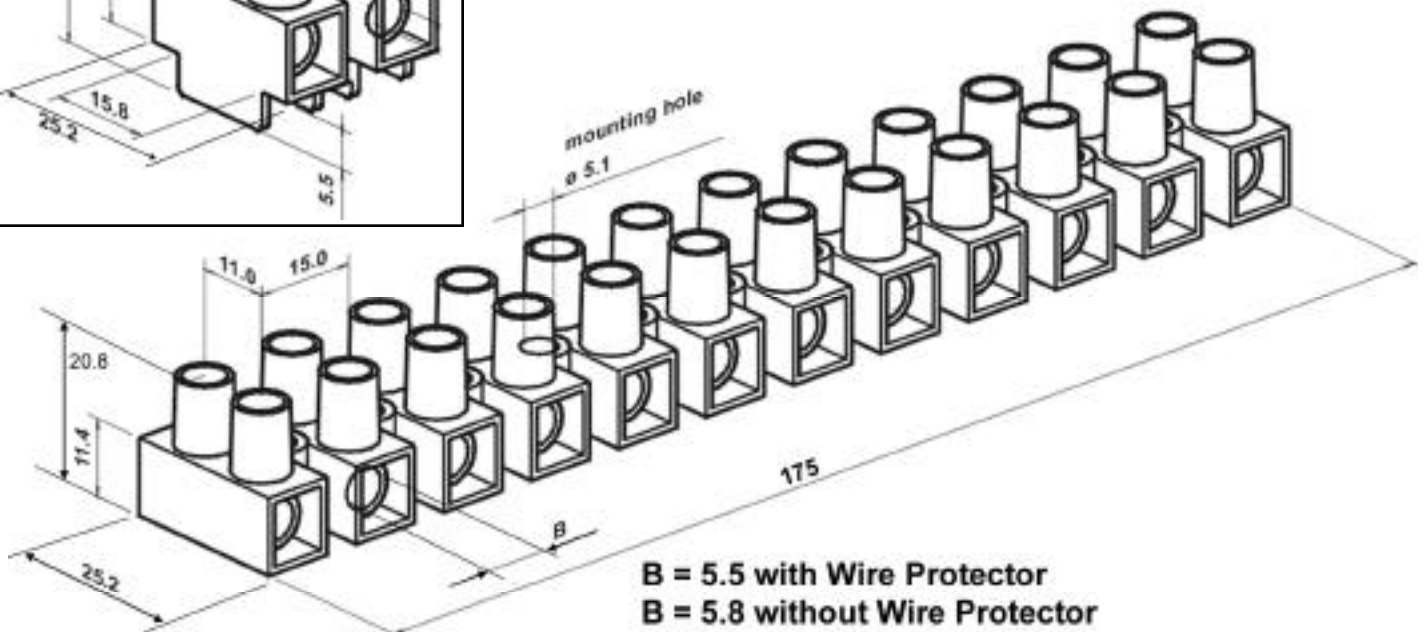
Printing

Marking Plates

Inserts with Center Barrier



Optional
Center
Barrier



EuroComp, Inc

(800) 846-6777 - Fax (949) 650-2992

www.eurocomp.net - email: sales@eurocomp.net

EKL4E Series 18mm Polyamide Terminal Strip

Wire Entry	25mm ² (8-4 AWG)
Nominal Voltage	750V (UL 600V)
UL Amp Rating	85A
PA 6.6 Max Ambient Temp	T 110
PA 6.6 FR Max Ambient Temp	T 140
PA 6.6 Testing Temp EN60998	140°C
PA 6.6 FR Testing Temp EN60998	170°C
Inserts	Brass
Screws	Galvanized Steel M5
Recommended Torque	15lb-in
Major Approvals	UL, CSA, VDE, OVE, SEMCO

ORDERING INSTRUCTIONS:

Insert Number of Poles from 2-12

Without Wire Protectors:

EKL4E/_ _W-ETB

Flame Retardant PA 6.6 FR UL94V0 Brown w/o WP:

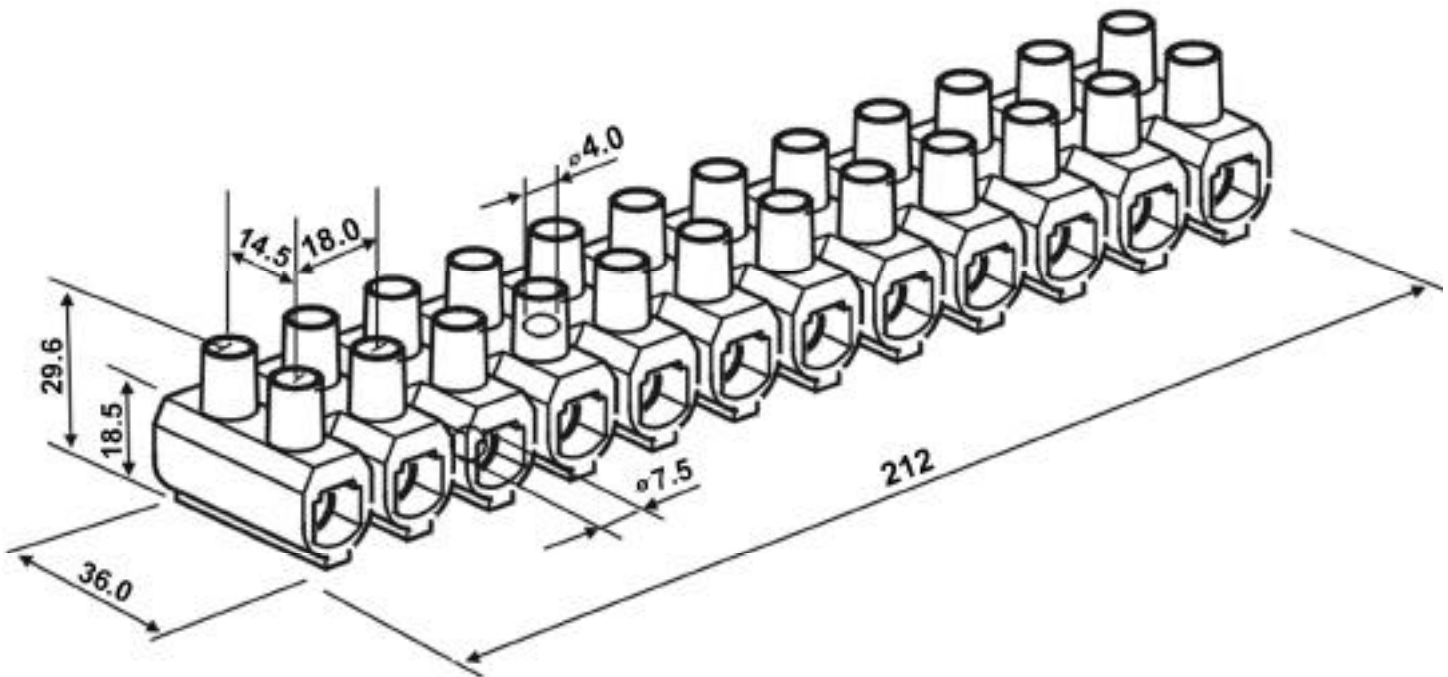
EKL4E/_ _WFR-ETB

Contact EuroComp for Options:

Printing

Marking Plates

Galvanized Inserts



EuroComp, Inc.

(800) 846-6777 - Fax (949) 650-2992

www.eurocomp.net - email: sales@eurocomp.net